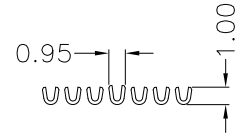
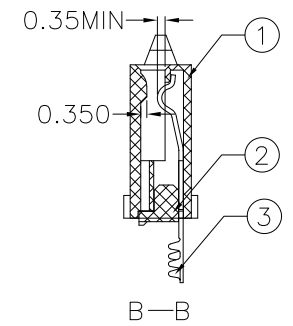
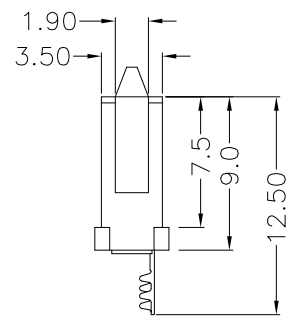
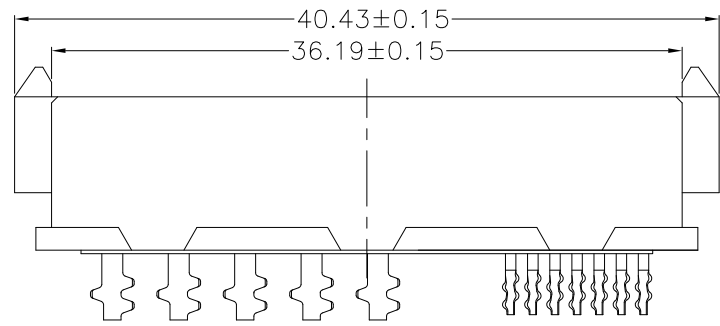
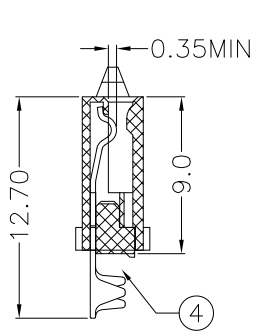


Ordering Information

SA22F - XX 1117 F 5 - 47

- | | | |
|--|---|---|
| Contact Area Plating
G1 : Gold Flash
G2 : 05 u"
G3 : 10 u"
G4 : 15 u"
G5 : 30 u"
G6 : 1u"
G7 : 3u"
G8: 2u" | B: Boardlock
P: Post
G: Peg
W: wo B/P/G
C: Solder type
F: Press Fit
M: Solder type+Press Fit
S: Sunk
L: Clamp | 1:Tube
2:Tray
3:T&R+CAP
4:T&R+Mylar
5:Bag |
|--|---|---|



RoHS
Compliant

NOTES:

1. Operation Temperature: -20° TO +85°
2. Electrical Characteristics:
 1. Rated Current: 1.5A@40VAC
 2. Contact resistance: 30mΩ(MAX)
 3. Withstand Voltage: 500VAC/minute
 4. Insulation Resistance: 1000MΩ(MIN)
3. Terminal Plating:
 1. Ni Plated over all
 2. Gold Plated on contact area
 3. Tin plated on solder&crimp area

④	TERMINAL	PH. BRONZE-C5191	15PCS
③	TERMINAL	PH. BRONZE-C5191	7PCS
②	BASE	PBT+ G/F BLACK UL94-V0	1PC
①	HOUSING	PBT+ G/F BLACK UL94-V0	1PC
NO.	Part	SPECIFICATION	Q'ty

REV.	REVISION RECORD	DATE	General Tolerances		
A	Original	10/14/15'	LINEAR	0.0 ±0.35 0.00±0.20	ANGLES ±3°
			UNIT:mm		
			A4	NAME	DATE
			APPROVED	SUNNY	
			DESIGNER	TED	
			DRAWN	WING	



TITLE: SATA 22P Female Press Fit Type
 DWG.NO.: SA22F-XX1117F5-47 REV. A
 SCALE 4 : 1 SHEET 1 OF 1